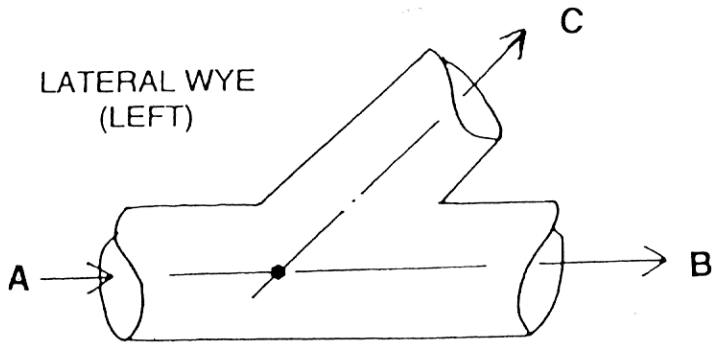


A - INLET

B - OUTLET

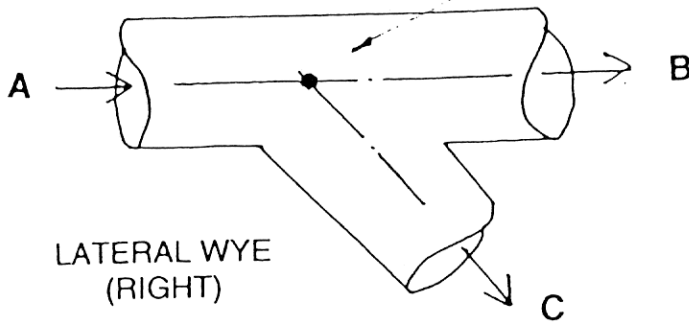
C - BRANCH

LATERAL WYE  
(LEFT)

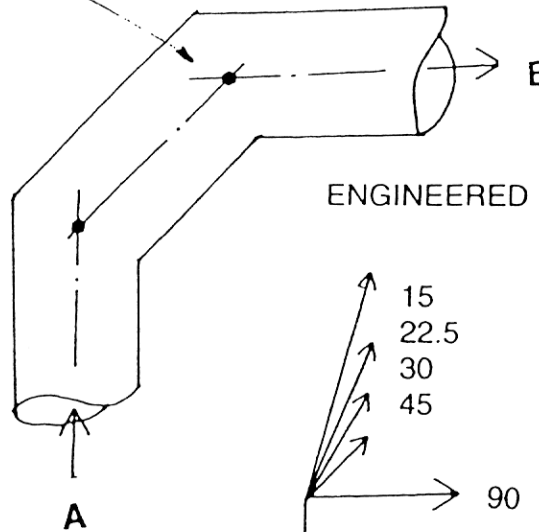


NOTE: LATERAL WYES & ELBOWS ARE TO BE INDICATED AS LEFT OR RIGHT FOR SNAP-ROC SYSTEM

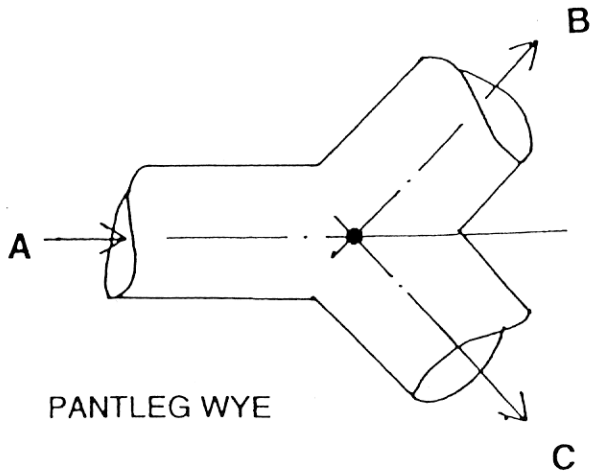
MESSENGER CABLE  
ANCHOR POINTS



LATERAL WYE  
(RIGHT)



ENGINEERED ELBOWS



PANTLEG WYE



**ROCVENT INC.**

PHONE: 705-692-5854

FAX: 705-692-9044

www.rocvent.com

DATE:  
SCALE:

**ENGINEERED FITTINGS**